



Planetary Mixers Planetary Mixer, 10 Lt. - Electronic with Hub

ITEM # _____

MODEL # _____

NAME # _____

SIS # _____

AIA # _____



600143 (DXBE10BA)

10 Lt planetary mixer, bowl detection device, electronic speed variation. Equipped with spiral hook, paddle, whisk and H type accessory hub. Equipped with highly resistant safety screen - BPA free

Short Form Specification

Item No. _____

Suitable for all kneading, blending and whipping operations. Body, feet and 10 litre capacity bowl in stainless steel. One piece alloy head holding the planetary mechanism and the drive. Water proof (IP55) and flat touch button control panel with 60 min. timer. Removable/transparent solid safety screen - made of a bisphenol-A free (BPA) copolyester. Powerful asynchronous motor (750 W) with electronic speed variation adjusted by a potentiometer (10 speed levels from 26 to 180 rpm). Bowl detection device allows the mixer to switch on only when the bowl and the safety screen are properly installed and positioned together. Adjustable feet for stability. Equipped with accessory drive hub type H (accessories are not included). Supplied with 3 tools: spiral hook, paddle and whisk.

APPROVAL: _____

Main Features

- Professional beater mixer that provides all the basic mixer functions: kneading of all sort of pastes, mixing of semi-liquid products, emulsions and various sauces.
- Delivered with:
 - Spiral Hook, Paddle, Wire Whisk and Mixing Bowl for 10 Lt
 - Accessory drive hub (accessories are not included)
- Electronic speed variator.
- Removable safety screen activates the raising and lowering of the bowl.
- Maximum capacity (flour, with 60% of hydration) 3.5 kg, suitable for 10-50 meals per service.
- Bowl detection device allows the mixer to switch on only when the bowl and the solid safety screen are properly installed and positioned together.

Construction

- Compact design for table top installations.
- Body entirely in stainless steel.
- Sturdy construction with mechanically welded strong metal frame.
- AISI 302 stainless steel bowl - 10 Lt. capacity.
- Asynchronous motor with high start-up torque.
- Planetary movement based on self lubricating gears, eliminating any risk of leaks.
- 10 speeds from 26 to 180 rpm (planetary movement), to adjust to the selected tool and mixture hardness.
- Water protected planetary system (IP55 electrical controls, IP34 appliance overall).
- Power: 750 watts.
- Adjustable feet for perfect stability.

Included Accessories

- 1 of PADDLE FOR 10LT MIXER PNC 653267
- 1 of DOUGH HOOK FOR 10LT MIXER PNC 653268
- 1 of WHISK FOR 10LT MIXER PNC 653269
- 1 of BOWL FOR 10LT MIXER PNC 653276

Optional Accessories

- PUREE STRAINER FOR H HUB WITH 3 GRIDS PNC 653187
- VEGETAB.CUTTER H HUB+ EJECTOR-DISCONNECT. PNC 653225
- PADDLE FOR 10LT MIXER PNC 653267
- DOUGH HOOK FOR 10LT MIXER PNC 653268
- WHISK FOR 10LT MIXER PNC 653269
- BOWL FOR 10LT MIXER PNC 653276
- EXT.SUPPORT(ALUM)-MEAT MINCER 70MM-H HUB PNC 653720

Planetary Mixers
Planetary Mixer, 10 Lt. - Electronic with Hub



Planetary Mixers Planetary Mixer, 10 lt. - Electronic with Hub

- ALUM.MEATMINCER KIT 70MM-H HUB-ENTERPRIS PNC 653721
- S/S MEATMINCER KIT 70MM-H HUB-ENTERPRISE PNC 653722
- S/S MEATMINCER KIT 70MM-H HUB-½ UNGER PNC 653723



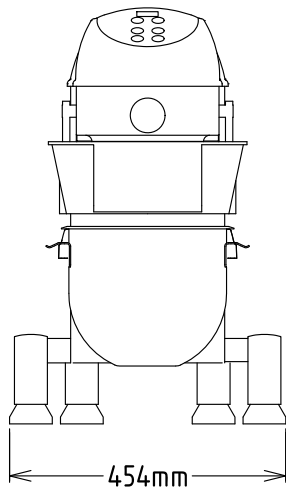
Planetary Mixers
Planetary Mixer, 10 lt. - Electronic with Hub
The company reserves the right to make modifications to the products
without prior notice. All information correct at time of printing.

2026.04.21

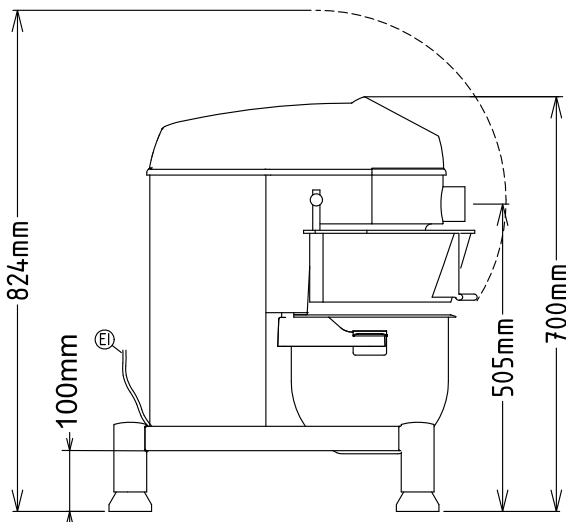


Planetary Mixers Planetary Mixer, 10 Lt. - Electronic with Hub

Front

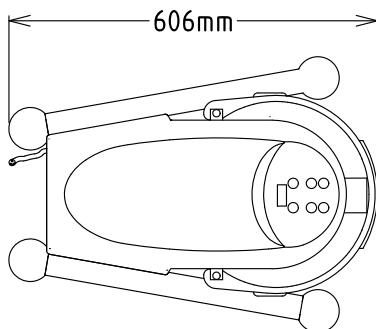


Side



EI = Electrical inlet
(power)

Top



Electric

Supply voltage: 200-240 V/1N ph/50/60 Hz
Electrical power max.: 0.75 kW
Total Watts: 0.75 kW

Capacity:

Performance (up to): 3.5 kg/Cycle
Capacity: 10 litres

Key Information:

External dimensions, Width: 454 mm
External dimensions, Depth: 606 mm
External dimensions, Height: 700 mm
Shipping weight: 49.2 kg
Net weight (kg): 38
Cold water paste: 3.5 kg with Spiral hook
Egg whites: 18 with Whisk

Planetary Mixers
Planetary Mixer, 10 Lt. - Electronic with Hub

The company reserves the right to make modifications to the products without prior notice. All information correct at time of printing.

2026.04.21